

Mishra Dhatu Nigam Limited
A Govt. of India Enterprise
P.O. Kanchanbagh, Hyderabad – 500058 (Telangana), India
Phone: 040-24184424, 24184423, 24340153, Fax: 040-24340764
Website: www.midhani.com

Tender Notice No: MDN/PUR/0677016/OF/ADVT/074/17-18, Date: 22.06.2017
Issue of Tender Documents from : 22.06.2017 @ 12:00 Hrs.
Receipt of tender on or before : 14.07.2017 @ 10:30 Hrs.
Opening of Tender Date : 14.07.2017 @ 11:00 Hrs.

MACHINING OF V DIE CARRIERS OF 1500 T FORGE PRESS

List of Tender documents:

		Pages
1. Spec. & Scope of Work	- Annexure-I	8
2. Terms & Conditions	- Annexure-II	3
3. Form of Bank Guarantee in lieu of Security Deposit	- Annexure-III	2

Note: Any Corrigendum/Addendum/Date of Extension, if any to the above tender would appear only on the MIDHANI website (www.midhani.com)

Tender details:

MACHINING OF V DIE CARRIERS OF 1500 T FORGE PRESS

S No	DESCRIPTION AND SPECIFICATION (Drawing Nos)	Qty Reqd. (Nos)	Delivery required
1	MACHINING OF V DIE CARRIERS – I, II, III & IV (ONE NO. OF EACH) MATERIAL: MDN 172 INPUT AND OUTPUT SIZES ARE AS PER SPECIFICATIONS AND SCOPE OF WORK AT ANNEXURE-I.	04 NOS	Within 60 Days from the date of receipt of input material batch wise from MIDHANI

- Note:** 1) Parties shall quote per no. basis only.
2) Eligibility Criteria as per Annexure-I.

Tender Fee (Non-Refundable):

All bidders shall submit an Tender Fee amount of Rs.1,000/- (Rupees One thousand only) through online mode as the link given below only.

Earnest Money Deposit (EMD):

All bidders shall submit an EMD amount of Rs. 15,000/- (Rupees fifteen thousand only) through online mode as the link given below only. If EMD is not enclosed, such offers are liable for rejection.

Security Deposit (SD): The Successful tenderer shall be required to furnish a Security Deposit within two weeks from the date of PO for 10% of Purchase Order/Contract value, in the form of Demand Draft or Bank Guarantee or payment through online as the link given below.

All bidders are requested to submit the "Tender Fee, EMD & Security Deposit" online through the below link:

<http://ebs.in/midhani/public/> or visit www.midhani.com > Purchase > Tenders > TENDER FEE, EMD (EARNEST MONEY DEPOSIT) & SECURITY DEPOSIT – ONLINE PAYMENT


In case of Bank Guarantee submitted, it should be as per format enclosed at Annexure – III to tender document, and The security deposit shall be valid till completion of supply of PO quantity with a claim period of 3 months from the date of expiry of Bank Guarantee and shall remain binding not withstanding such variations, alternations or extensions of time as it may be made, given, conceded or agreed to between the Contractor and Purchaser.

The Security Deposit furnished by the successful tenderer shall be subject to the terms & conditions of the contract/PO finally concluded between the parties. The Purchaser will not be liable for payment of any interest on the security deposit or any depreciation thereof. Security Deposit shall be refundable after material is received and accepted.

Note:

- The successful tenderer shall submit Indemnity Bond covering the value of free issue material as directed by the purchaser. The value of the material shall be furnished at the time of Placement of Order.
- Bidders are requested to contact Mr. M Durga Prasad, contact:040 24184532, 24184312, for any technical clarifications/quaries and Mr. B Venkataganesh, contact: 040-24184423, email: bvganesh@midhani.com or any commercial clarifications/ quaries (if any).

for Mishra Dhatu Nigam Limited


B. Venkataganesh
उप प्रबंधक - क्रय
Dy. Manager - Purchase

ANNEXURE-I

SPECIFICATION & SCOPE OF WORK

A. Acceptance criteria for the bidders:

- a. Must have horizontal boring / Plano milling facility. Parties within 100 Km range of Hyderabad shall only participate.
- b. To ensure evidence of executed similar job order details.
- c. If required MIDHANI team shall visit the bidder's site / works before awarding the job. If found satisfactory job will be allotted to the L1 bidder or else to the next eligible bidder.

B. Scope of work: MIDHANI shall give free issue material to the eligible bidder. The party has to carryout machining activity as per the drawing within specified delivery time.

C. Specification:

1. The input material of MDN 172 grade will be supplied in forged & annealed condition.
2. Approximate hardness is about 250 B.H.N. machinability of the grade is good with tungsten carbide tools as per out experience.
3. Input material and output component details are as per following table machining to be done to realize the component as per drawing.

S N	Description	Output Component	Input Material	Approx. Weight	QTY (NO)
A	'V' Die I Carrier	M06P001-17-10-B2	As per enclosed sketch I	5370 Kgs	01
B	'V' Die II Carrier	06P001-17-09-A1	As per enclosed sketch II	2700 Kgs	01
C	'V' Die III Carrier	M006P001-17-81-A1	As per enclosed sketch III	2000 Kgs	01
D	'V' Die IV Carrier	06P001-17-08-A1 (PART - 1)	As per enclosed sketch III	2000 Kgs	01

Note:

- a) Raw Material sizes many vary + 15mm since the material will be supplied in forged condition.
- b) The weight may be 15% more than given above. Since the input material will be forged in open die forging Process.
- c) **Parties shall quote machining charges per no. basis only.**

D. Process Loss: The Scrap generated during Machining shall kept separately and to be returned to MIDHANI along with finished components, however MIDHANI shall allow maximum 8% as process loss on generated scrap.

E. Acceptance Criteria: Dimension of Machined components for V-Die I, V-Die II, V-Die III, V-Die IV shall as per drawings M06P001-17-10-B2, 06P001-17-09-A1, M06P001-17-81-A1 & 06P001-17-08-A1 (PART – 1), respectively, and assembling at MIDHANI.

F. Transportation: To and fro including scrap from MIDHANI to be arranged by contractor.

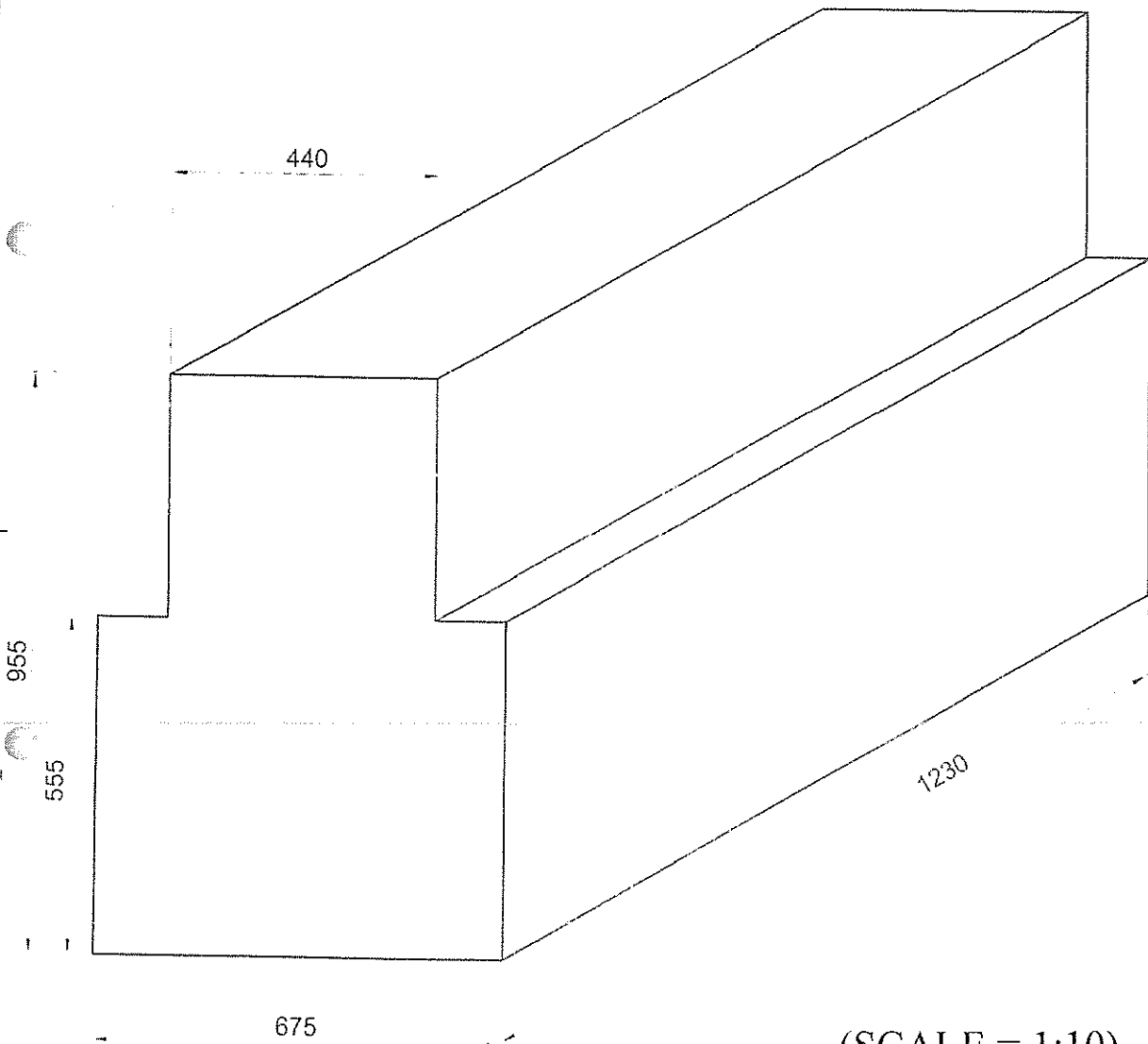
G. Inspection: Finished job will be inspected by our engineer at you site, However subcontractor has to submit dimensional report.

H. QUOTATION: Parties shall submit their offer item wise.

I. Delivery period: Party shall deliver finish goods within 60 days from the date of receipt of input material batch wise.

SKETCH - RAW MATERIAL FOR - V - DIE -- I

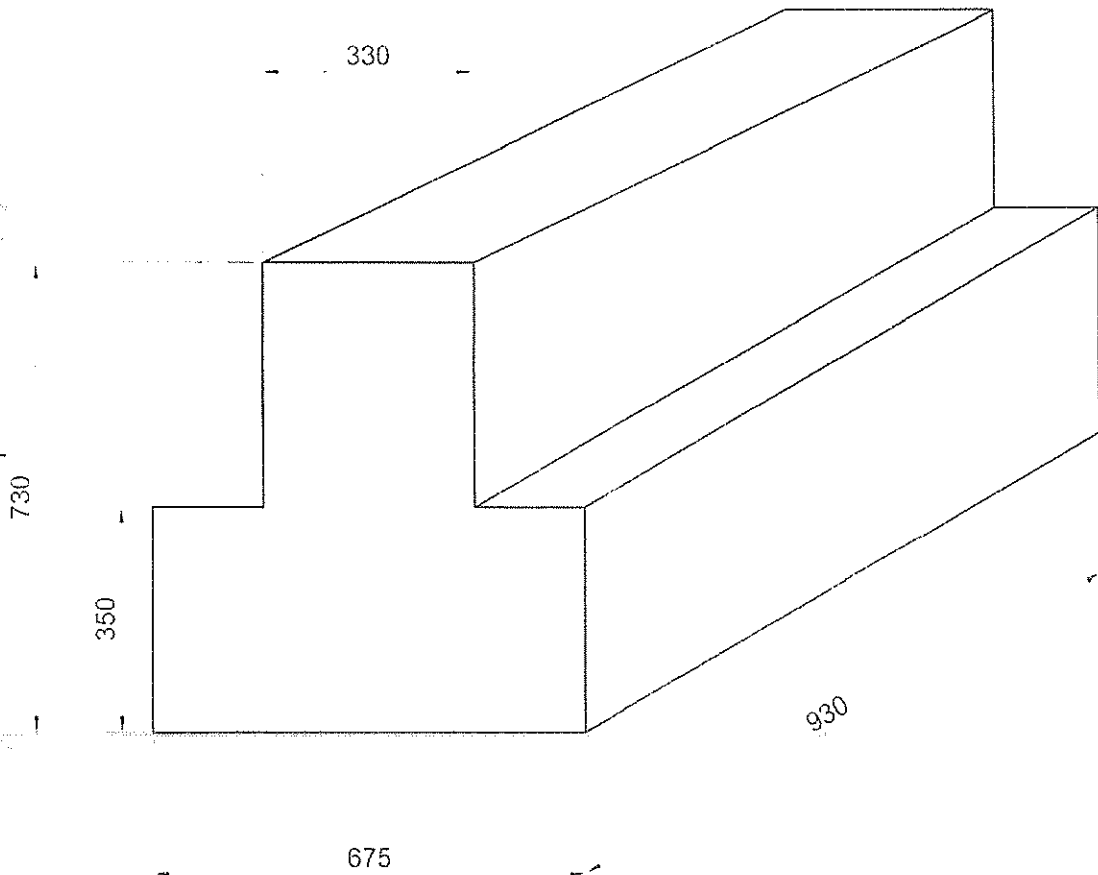
SKETCH - I



(SCALE = 1:10)

SKETCH - RAW MATERIAL FOR - V - DIE -- II

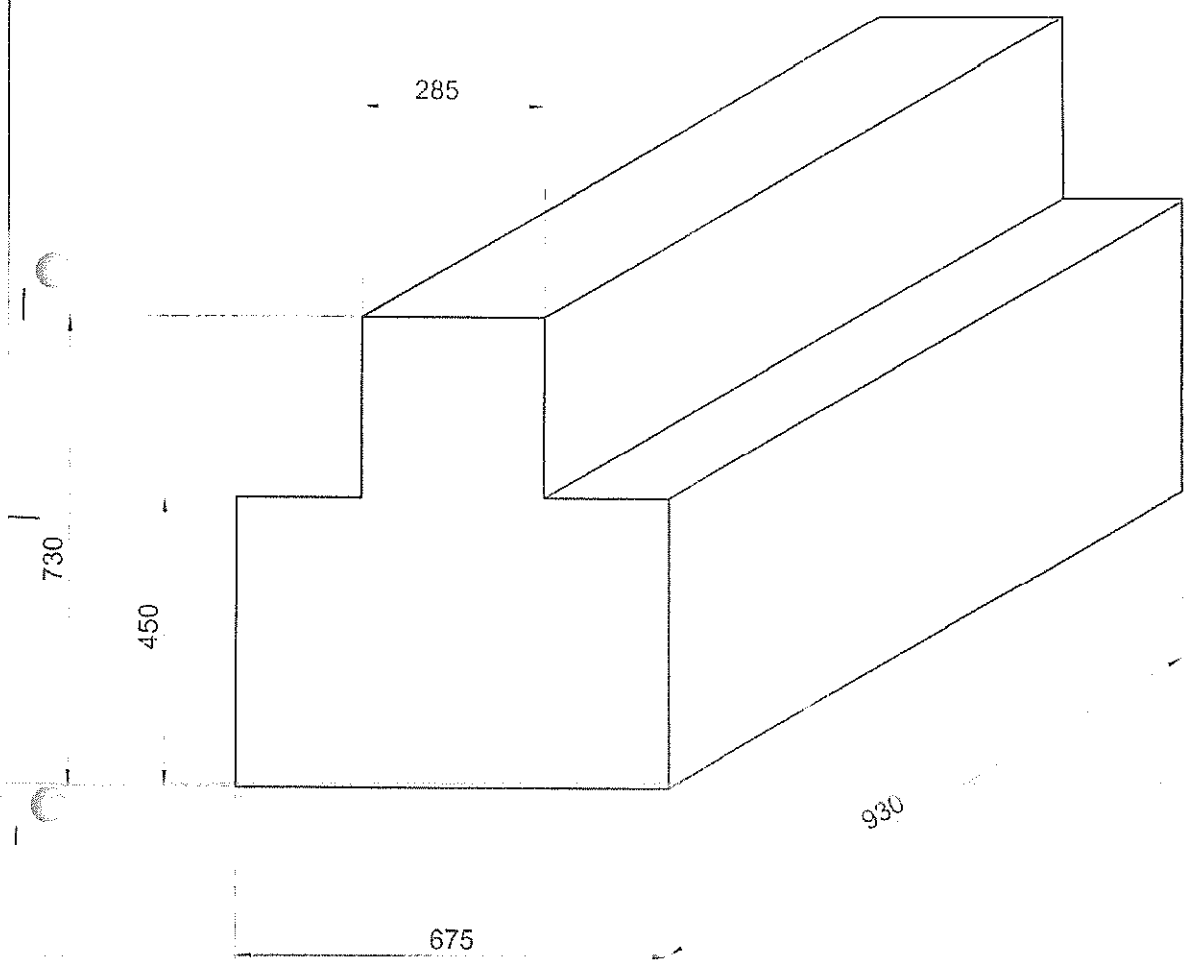
SKETCH-II



(SCALE = 1:10)

SKETCH-RAW MATERIAL FOR - V - DIE -- III & IV

SKETCH - III

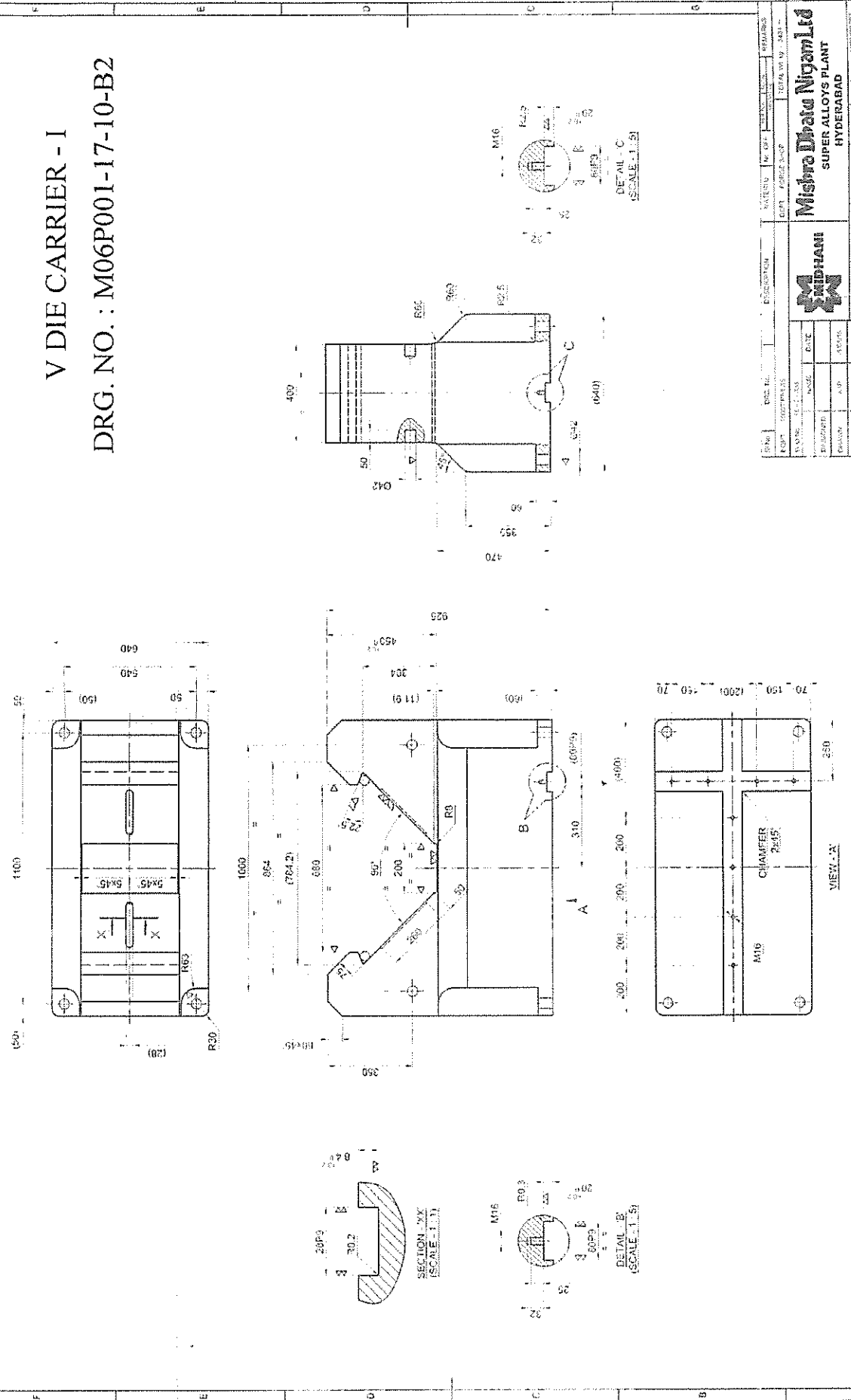


(SCALE = 1:10)

V DIE CARRIER - I

DRG. NO. : M06P001-17-10-B2

FORGING
M06P001-17-10-B2
SHEET 1 OF 3



REVISION		DATE		APPROVED	DATE
NO.	DESCRIPTION	BY	DATE		

PROJECT INFORMATION:
PROJECT NO. M06P001-17-10-B2
CLIENT: MISHRA
ENGINEER: MISHRA
DESIGNER: MISHRA

MATERIAL		PROPERTY	
NO.	DESCRIPTION	BY	DATE

PROFITABILITY:
EST. NO. M06P001-17-10-B2
DATE: M06P001-17-10-B2

NOTE:
 1. ALL DIMENSIONS ARE IN mm UNLESS OTHERWISE SPECIFIED.
 2. PERMIT BURR & SHARP CORNERS.
 3. ALL MEASURE TOLERANCES UNLESS OTHERWISE SPECIFIED.
 4. FINISH SHALL BE AS PER I.S. 9000.
 5. DO NOT SCALE DRAWING.
 6. FOR FORGING

THIS DRAWING IS THE PROPERTY OF MISHRA DRATHI NIGAM LTD AND SHOULD NOT BE GIVEN OR HANDED OVER OR DIVULGED TO ANY OTHER PERSON WITHOUT THE EXPRESS PERMISSION OF THE COMPANY IN WRITING. THE MATTER GIVEN ON THIS DRAWING IS TO BE TREATED AS STRICTLY CONFIDENTIAL.

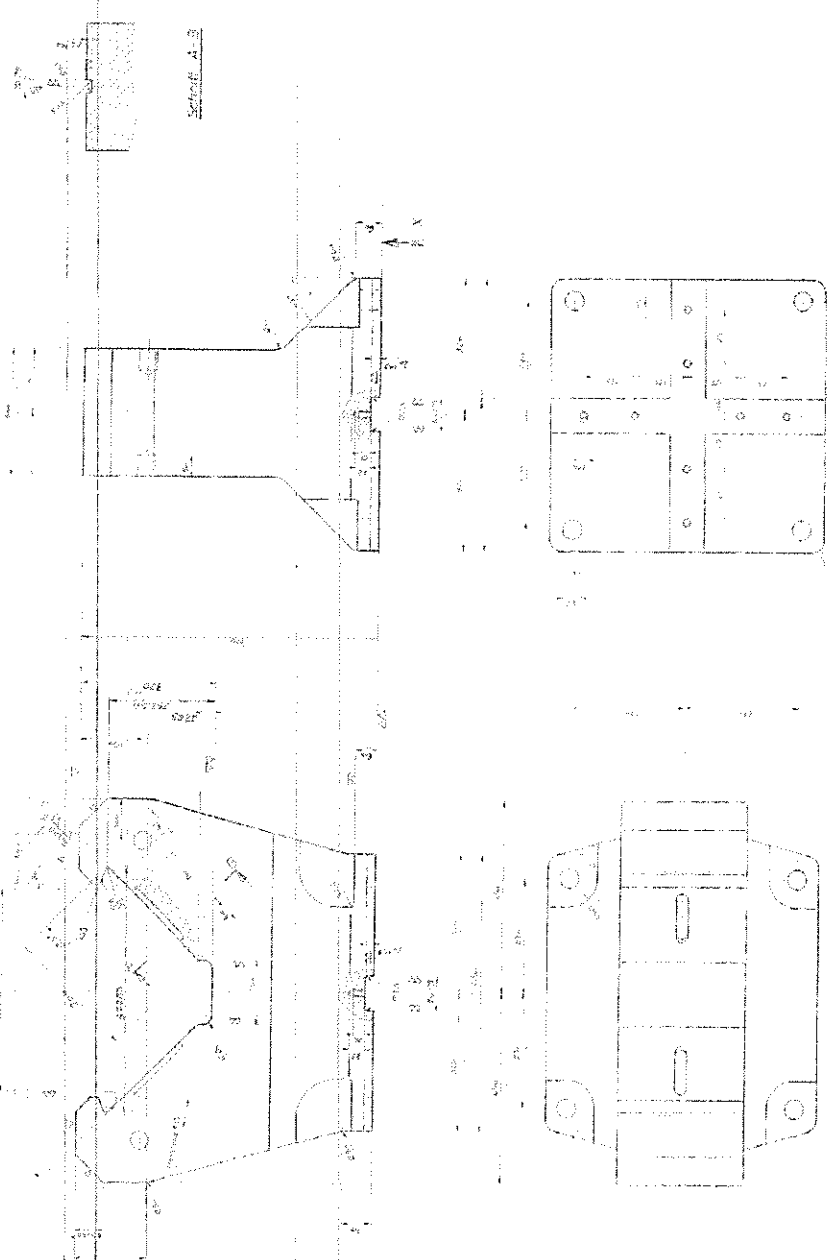
NO.	DATE	BY	REVISION	REF	DRG NO

Mishra Drathi Nigam Ltd
SUPER ALLOYS PLANT
 HYDERABAD

MISHRA

V-DIE CARRIER - I
 (0350 - 0600)

M06P001-17-10-B2
 SHEET 1 OF 3



STÜCKLISTE	06P001-17-09-AI	06P001-17-09-AI
STÜCKLISTE	06P001-17-09-AI	06P001-17-09-AI
STÜCKLISTE	06P001-17-09-AI	06P001-17-09-AI

DRG. NO. : 06P001-17-09-AI
V DIE CARRIER - II

STÜCKLISTE	06P001-17-09-AI	06P001-17-09-AI
STÜCKLISTE	06P001-17-09-AI	06P001-17-09-AI
STÜCKLISTE	06P001-17-09-AI	06P001-17-09-AI

V DIE - II

STÜCKLISTE	06P001-17-09-AI	06P001-17-09-AI
STÜCKLISTE	06P001-17-09-AI	06P001-17-09-AI
STÜCKLISTE	06P001-17-09-AI	06P001-17-09-AI

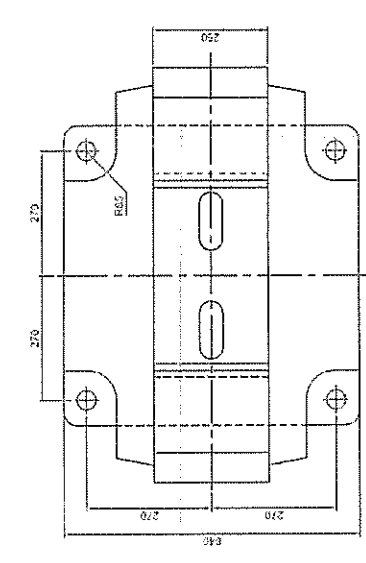
PANNKE

1992-302

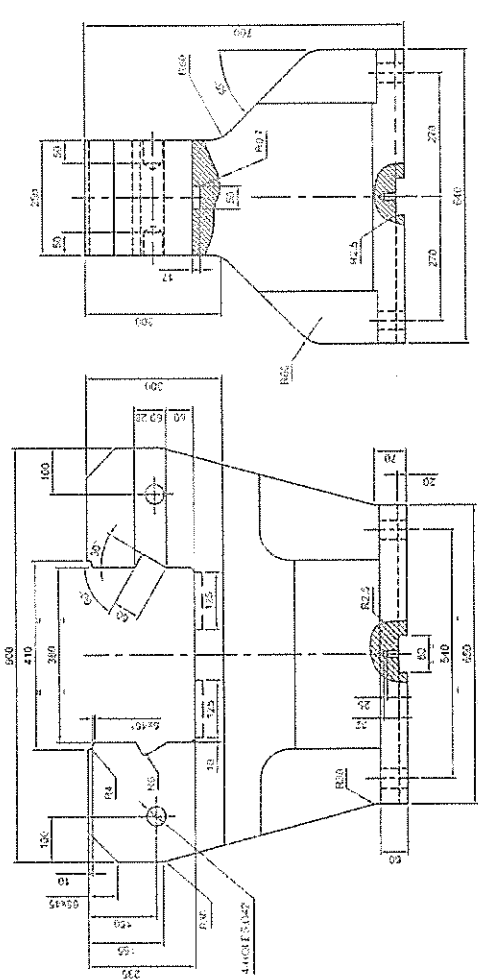
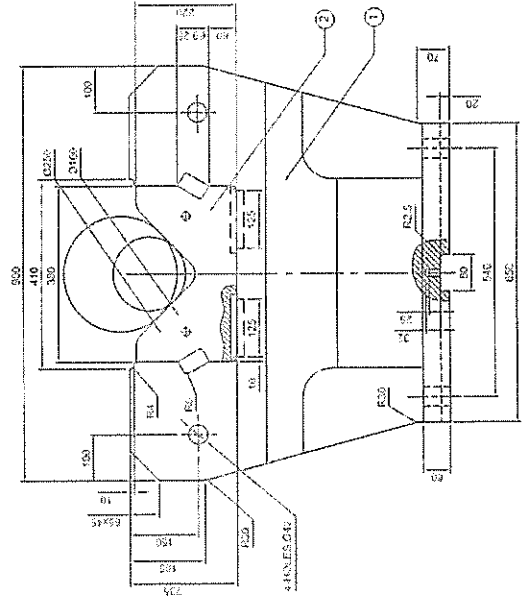
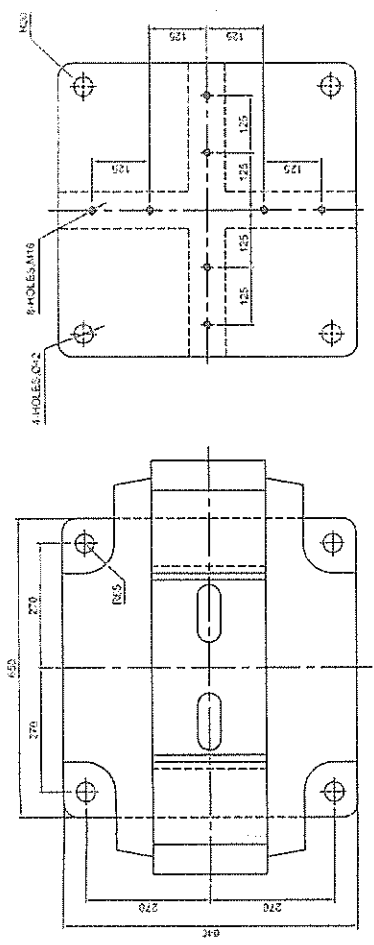
Technische Zeichnung
 Blatt 1 von 1
 Datum: 1992-03-02
 Zeichner: [Name]
 Geprüft: [Name]
 Freigegeben: [Name]
 Maßstab: 1:1
 Projekt: [Projektname]

1978
 1978
 1978
 1978
 1978
 1978

V-DIE ASSEMBLY



V-DIE CARRIER (0256-160)



PART V-DIE CARRIER (0256-160)
 MATERIAL: GS 55 NIC. MS V 6 N BN 1.2713
 QTY: 1

PROVISIONAL

DRG. NO.: M006P001-17-81-A1 V Die-III
 V-DIE CARRIER - III

- 1 V-DIE CARRIER (0256-160)
- 2 V-STONE (0255-160)

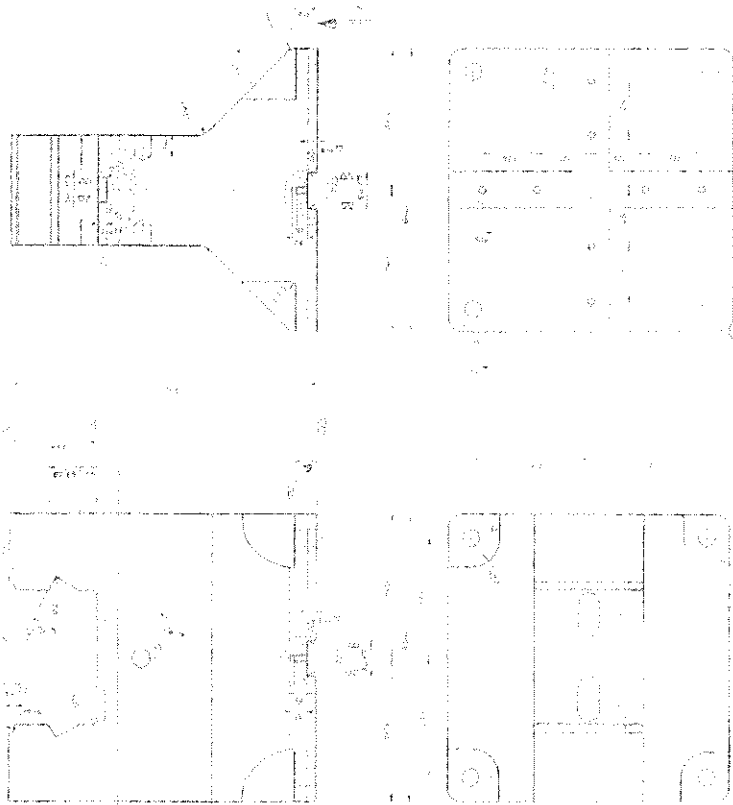
NO.	DATE	REVISION

DESIGN	DATE	SCALE	SHEET NO.
DRAWN	CHECKED	REVISED	TOTAL SHEETS
APPROVED			
NAME: MISHRA ETC. LTD. ADDRESS: 17, MAIN ROAD, BANGALORE, INDIA.		NAME: MISHRA ETC. LTD. ADDRESS: 17, MAIN ROAD, BANGALORE, INDIA.	

THIS DRAWING IS THE PROPERTY OF MISHRA ETC. LTD. AND SHOULD BE KEPT IN CONFIDENTIALITY TO THE COMPANY WITHIN THE COMPANY. IT IS NOT TO BE REPRODUCED OR TRANSMITTED IN ANY FORM OR BY ANY MEANS, ELECTRONIC OR MECHANICAL, INCLUDING PHOTOCOPYING, RECORDING, OR BY ANY INFORMATION STORAGE AND RETRIEVAL SYSTEM. ANY UNAUTHORIZED USE OF THIS DRAWING SHALL BE CONSIDERED A VIOLATION OF THE COMPANY'S POLICY AND WILL BE PROSECUTED TO THE FULL EXTENT OF THE LAW.

ST 1045 REPRODUCED AS STRICTLY CONFIDENTIAL

06P001-17-08-A1



Approved: _____
 Date: _____
 Drawn: _____
 Checked: _____
 Title: _____
 Scale: _____
 Material: _____
 Heat Treatment: _____
 Surface Finish: _____
 Quantity: _____
 Part No.: _____
 Drawing No.: _____
 Revision: _____
 Date: _____
 By: _____
 Checked: _____
 Approved: _____

DATE	BY	DESCRIPTION

V-DIE CARRIER - IV

DRG. NO.: 06P001-17-08-A1 (PART-1)

Approved: _____
 Date: _____
 Drawn: _____
 Checked: _____
 Title: _____
 Scale: _____
 Material: _____
 Heat Treatment: _____
 Surface Finish: _____
 Quantity: _____
 Part No.: _____
 Drawing No.: _____
 Revision: _____
 Date: _____
 By: _____
 Checked: _____
 Approved: _____

06P001-17-08-A1
 PART 1
 DATE: _____
 BY: _____
 CHECKED: _____
 APPROVED: _____

DATE	BY	DESCRIPTION

TERMS AND CONDITIONS FOR JOBWORKS

- 1.) **EXCISE DUTY:**
 - a. The input materials will be issued under current Central Excise Rule. No Excise Duty is therefore applicable. The duplicate copy of Excise Challan is to be filled –in properly and returned along with finished material.
 - b. As per the latest guidelines of central Excise Rules, the material issued to the job-Worker is to be returned to the Parent factory within 180 days from the date of issue.
 - c. The above shall be governed by the Central Excise Tariff & Procedure as applicable.
- 2.) **TAXES:** Sales tax is not applicable since it is Job Work. However, if any other taxes are applicable /payable by the purchaser, the same must be specifically stated in the offer failing which offer will be considered as inclusive of all taxes.
- 3.) **PROCESS LOSS:** The Scrap generated during process shall be kept separately and to be returned to MIDHANI along with finished material each challan – wise for each of material accounting and payment. However MIDHANI shall allow maximum 8% as process loss on generated scrap. If the process loss exceeds the allowed percentage as mentioned in the scope of work, the cost of scrap will be recovered from the bill as directed by the purchaser.
- 4.) **REJECTIONS:** The machining has to be done as per scope of work of Annexure-I. In case any material is rejected due to faulty workmanship, the cost of raw material shall be recovered from the party by per kg Input weight basis as directed by the Purchaser. Rejected material to be returned to MIDHANI.
- 5.) **INDEMNITY BOND:** The successful tenderer shall submit Indemnity Bond covering the value of free issue material as directed by the Purchaser. The value of the material will be furnished at the time of placement of order.
- 6.) **INSURANCE:** The successful tenderer shall take an Insurance policy covering all risks for the value of material issued by MIDHANI during transport and lying at his works.
- 7.) **PRICES:** Tenderers shall submit their quotation in terms of Rs. per unit. The prices shall be firm during the tenure of the Contract.
- 8.) **TRANSPORT:** As per Annexure-I. To & Fro Transportation shall be arranged by Sub-Contractor.
- 9.) **DELIVERY:** As per Scope of Work at Annexure-I.
- 10.) Tenderers shall submit their quotes in clear terms without any vague expressions.
- 11.) **MSME UNITS:** Confirm whether you are MSME UNIT or MSME UNIT owned by SC/ST Entrepreneur. If yes, Please submit latest valid documentary proof for extending benefits as per Government guidelines.
- 12.) Tenderers are requested to submit their offers according to Purchaser's Terms & Conditions.

- 13.) The Purchaser is not bound to accept the lowest or any tender or to assign reasons for its non-acceptance. The Purchaser also reserves the right to accept the tender either in whole or in part.
- 14.) **REPEAT ORDER:** Within a period of six months from the date of completion of the order, the Purchaser further reserves the right to place repeat order on the successful tenderer for an additional quantity up to 100% of the original ordered quantity.
- 15.) **COUNTER TERMS & CONDITIONS:** Where counter terms & conditions have been offered by the tenderer, the Purchaser shall not be governed by these unless specific acceptance has been given in writing in the order by the Purchaser.
- 16.) **INSPECTION:** The Purchaser reserves the right to get the finished/ semi-finished goods inspected during the course of progress of work at the Contractor's works
- 17.) **VALIDITY:** The offer should be valid for a minimum period of 90 days from the date of opening of the tender.
- 18.) **ARBITRATION:** Any dispute or difference whatsoever arising between the parties out of or relating to the construction, meaning and operation or effect of this Contract or the breach thereof shall be settled by Arbitration in accordance with the Rules of Arbitration of the Indian Council of Arbitration and the award made in pursuance thereof shall be binding on the parties.
- 19.) **JURIDICTION:** All questions, disputes or differences arising under, out of or in connection with the contract shall be subject to the exclusive jurisdiction of court within local limits of Hyderabad, Telengana.
- 20.) Tenders not conforming to Purchaser's terms & conditions shall be summarily rejected.
- 21.) **GENERAL DIRECTIONS OF THE WORK:** The contractor shall obtain instructions for carrying out the work pertaining to his Contract from the Purchaser or its authorized representative. The Contractor shall take care of the progress of the work through a qualified representative. Any instructions given to such representative shall be considered as having been issued directly to the Contractor.
- 22.) **RESPONSIBILITY FOR PERFORMANCE OF CONTRACT:** The Successful tenderer is responsible for the due performance of the contract in all respects as per the Scope of work.
- 23.) **SUB LETTING OR SUB-CONTRACTING OF CONTRACT:** The Successful tenderer shall not sublet, transfer or assign the contract or any part thereof without the written permission of the Purchaser.
- 24.) **LIQUIDATED DAMAGES FOR DELAY IN EXECUTION OF CONTRACT:** If the Contractor shall fail to complete the assigned work within the time prescribed in the Contract thereof, or extended time thereof, the Contractor shall be liable to pay the Purchaser as liquidated damages for such default, but not as a penalty, a sum calculated at the rate of 1% (One percent) of the Contract Price per week of delay, subject to a maximum of 10% (Ten percent) of the Contract Price. The Purchaser may, without prejudice to any other method of recovery, deduct the amount of such damages from any money in his due to the Contractor. The payment or deduction of such damages shall not relieve the Contractor from his obligations to complete the work or from any other of his obligations and liabilities under the Contract.

25.) **RISK PURCHASE:** If the Contractor shall fail to complete the assigned work within the time prescribed in the tender/contract thereof, the Purchaser reserves the right to get the job done through other sources at the Contractor's cost & risk.

26.) **ADDENDA TO TENDER DOCUMENTS:** The Purchaser reserves the right to issue addenda to the tender documents to clarify, modify, supplement or delete any of the condition, clause or items stated in the tender documents issued with this invitation to tender. Each addendum issued will be distributed to each tenderer or his authorized representative and the addendum so issued shall form a part of the original tender documents to be reviewed as required.

27.) **NO CLAIM OR COMPENSATION FOR SUBMISSION OF TENDER:** The tenderers whose tenders are not accepted shall not be entitled to claim any costs, charges and expenses of the tender, incidental to or incurred by them, through or in connection with their submission of tenders even though the Purchaser may elect to withdraw the invitation to tender.

28.) **PAYMENT TERMS:** Payment of all the bills will be made within a period of 30 days from the date of receipt and acceptance of the materials at site.

29.) **TENDER OPENING:** The Tender will be opened in the presence of tenderers or their authorized representatives, who choose to be present. The representative should produce an authorization letter from the tenderer for attending the Tender opening

30.) **DEFINITIONS:**

PURCHASER: The term "Purchaser" as used herein shall mean "Mishra Dhatu Nigam Limited" incorporated under the companies Act 1956, and having its registered office at P.O. Kanchanbagh, Hyderabad-500 058. Telengana, India, and shall include its successors and assigns.

TENDERER: The term "Tenderer" shall mean the person, firm or corporation submitting a tender against the invitation to tender and shall include his/ its heirs, executors, administrators, legal representatives, successors and assigns.

CONTRACTOR: The term "Contractor" shall mean the Tenderer whose tender has been accepted and shall include his/its heirs, executors, administrators, legal representatives, successors and assigns approved by the Purchaser.

FORM OF BANK GUARANTEE IN LIEU OF SECURITY DEPOSIT

1. This deed of guarantee executed onday of by
.....

(Name and Address of the Bank)

the Bank hereinafter called Bank (which term shall mean and include its successors and assigns wherever the context so admits) in favour of M/s. MISHRA DHATU NIGAM LIMITED., a government of India Enterprise incorporated and registered as a company under the Companies Act, 1956, having its registered office at P.O. Kanchanbagh, Hyderabad – 500 058, state of A.P. India, herein after referred to as the “purchaser” (which terms shall mean and include its successors in office and assigns).

2. In consideration of M/s. Mishra Dhatu Nigam Limited (Purchaser) having agreed to exempt hereinafter called the said Contract(s) (which term shall mean and include its successors assigns and legal representatives) from the demand under the terms and conditions of Purchase / Work Order No. dated for(hereinafter called the said agreement) of Earnest Money / Security Deposit/ Defect Liability deposit for the due fulfillment by the said Contractor(s) of the terms and conditions contained in the said agreement on production of a bank guarantee for Rs/ USD.....(Rs/ USD..... only), we (name of the bank, address) (hereinafter referred to as “The Bank”) at the request of Contractor(s) do hereby undertake to pay Purchaser an amount not exceeding Rs/ USD (in words.....) against any losses or damage caused to or suffered or would be caused to or suffered Purchaser by reason of any breach by the said Contractor(s) of any of the terms and conditions contained in the said agreement.
3. We (Bank) do hereby unconditionally and irrevocably agree and undertake to pay to Purchaser the amounts due and payable under this Guarantee without any demur, merely on a demand from Purchaser stating that the amount claimed is due by way of loss or damage caused to or would be caused to on suffered by Purchaser by reason of breach by the said agreement or by reason of the contractor(s) failure to perform the said agreement. Any such demand made on the Bank shall be conclusive as regards the amount due and payable by the Bank under this Guarantee. However, our liability under this Guarantee shall be restricted to an amount not exceeding Rs/ USD (in words.....)
4. We undertake to pay Purchaser and money so demanded notwithstanding any dispute or disputes by the contractor(s) / supplier(s) in any suit or proceedings pending before any court of tribunal relating thereto, our liability under this present being absolute and unequivocal. The payment so made by us under this Guarantee shall be valid discharge of our liability for payment thereunder and the contractor(s) shall have not claim against us for making such payment.
5. We (Bank) further agree that the guarantee herein contained shall remain in full force and affect during the period that would be taken for the

performance of the said Agreement and that it shall continue to be enforceable till all the dues of Purchase under or by virtue of the said Agreement have been fully paid and its claims satisfied or discharges or till Purchaser certifies that the terms and conditions of the said Agreement have been fully and properly carried out by the said contractor(s) and accordingly discharges this guarantee. Provided that if Purchaser together with the Contractor seeks an extension of terms of the Guarantee, such extension shall be granted by the Bank and the guarantee shall be in full force till the expiry of such extended period.

6. We (Bank) further agree with Purchaser that Purchaser shall have the fullest liberty without our consent and without affecting in any manner our obligations hereunder to vary any of the terms and conditions of the said agreement or to extend time of performance by the said contractor(s) from time to time or to postpone for any time or from time to time any of the powers exercisable by purchaser against the said Contractor(s) and to forebear or enforce any of the terms and conditions relating to the said agreement and we shall not be relieved from our liability by reason of any such variation of extension being granted to the said contractor(s) or for any forbearance, act or omission on the part of Purchaser or any indulgence by Purchaser to the said contractor(s) or by any such matter or thing whatsoever which under the law relating to sureties would but for this provisions, have effect of so relieving us.
7. It shall not be necessary for Purchaser to proceed against the contractor before proceeding against the Bank and the guarantee herein contained shall be enforceable against the Bank notwithstanding any security which Purchaser may have obtained or obtains from the contractor.
8. This guarantee shall not be discharged due to the change in the constitution of the Bank or the contractor(s).
9. We (Bank) lastly undertake not to revoke this guarantee during its currency except with the previous consent of Purchase in writing.
10. Not withstanding anything contained herein before, our liability is limited to a sum not exceeding Rs/ USD (in words.....) unless a claim is made on us in writing on or before (3 months beyond the date of delivery / completion as specified in the contract) we shall be discharged from liability under this guarantee.

In witness whereof these presents are executed at on the date, month and year first herein above written.

FOR AND ON BEHALF OF THE BANK WITHIN NAMED