

NOTE :
1). REFER SHEET 2 OF 2 FOR SECTIONAL DETAILS.
2). RISE 200 & TREAD 300 FOR STAIRCASE.

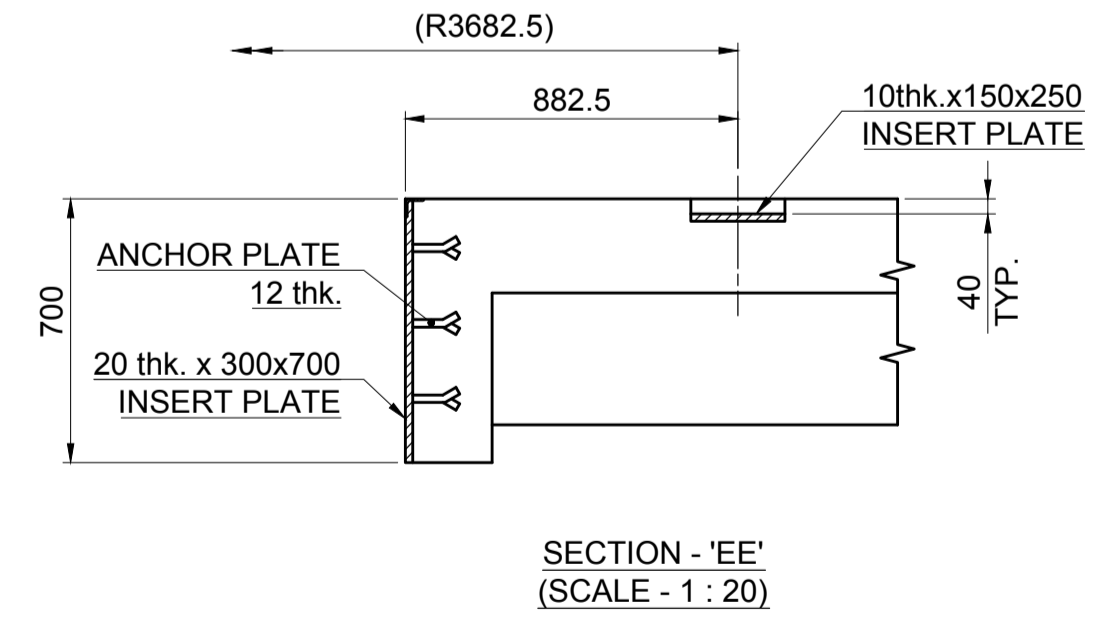
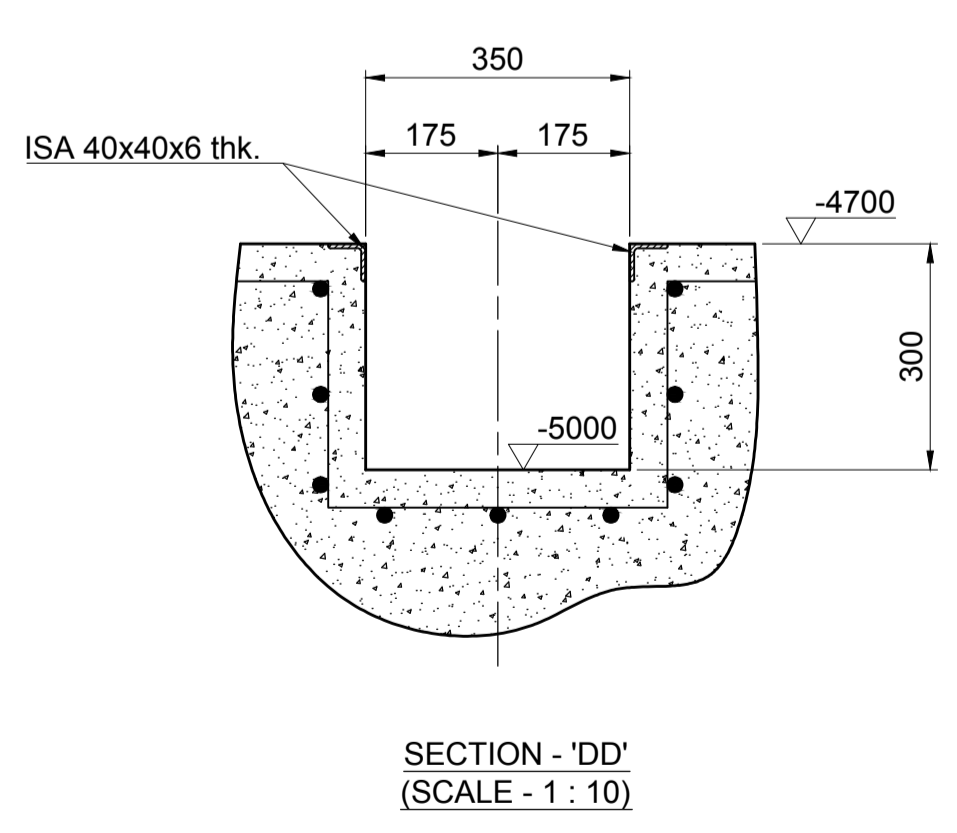
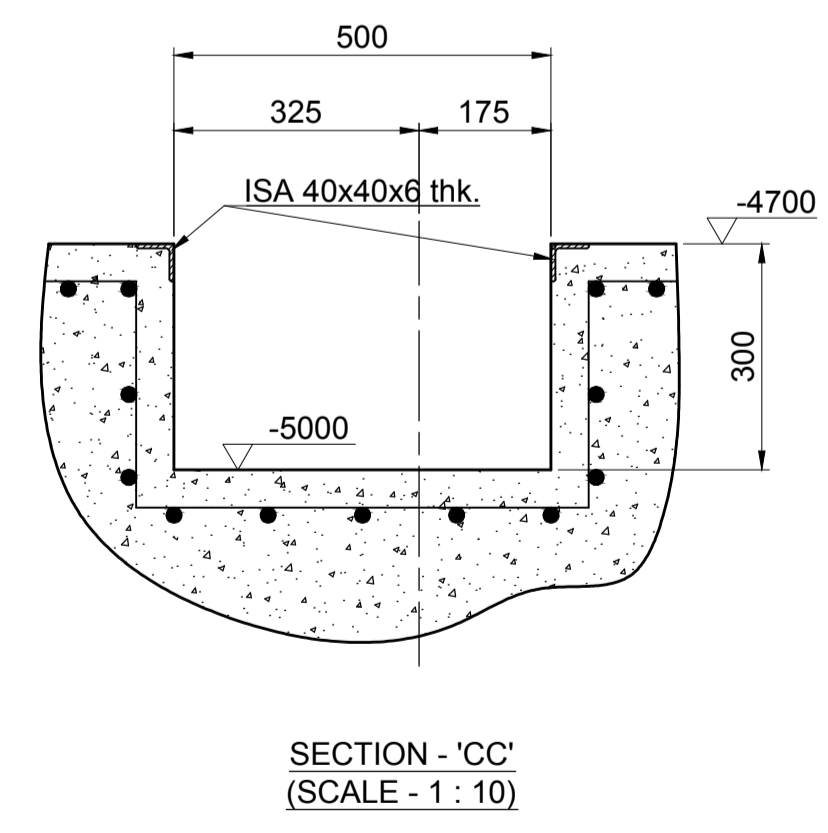
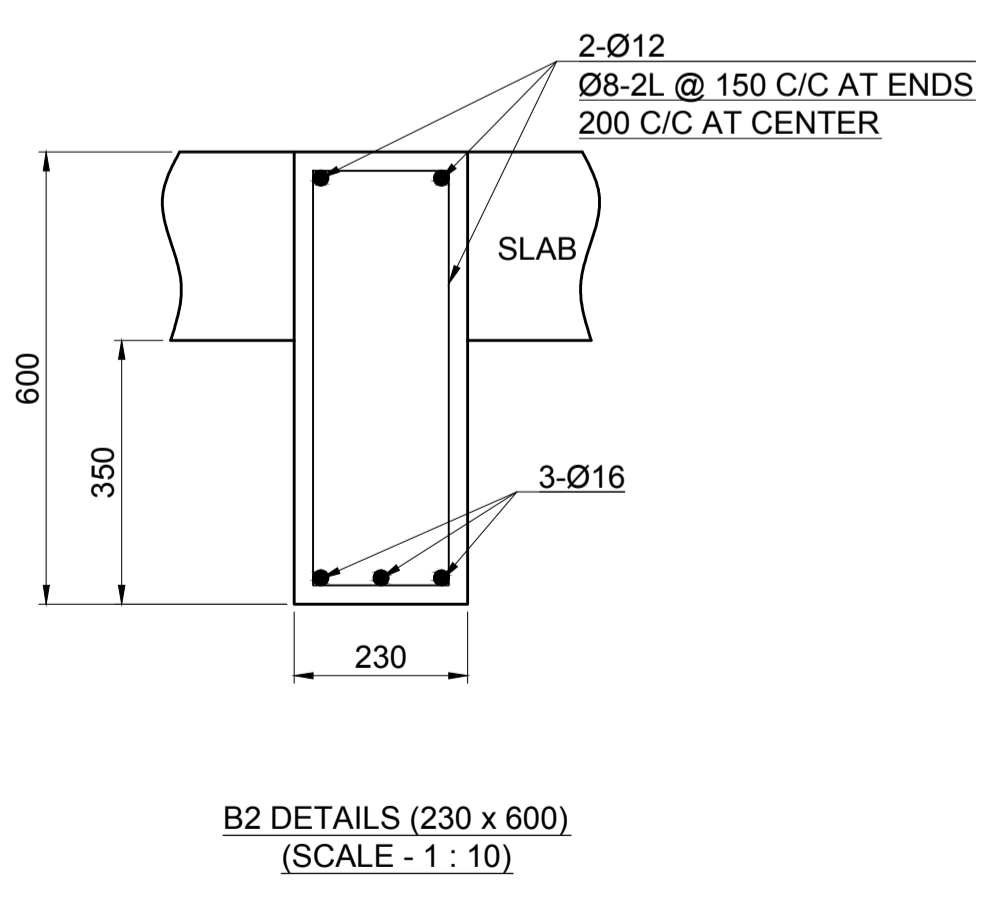
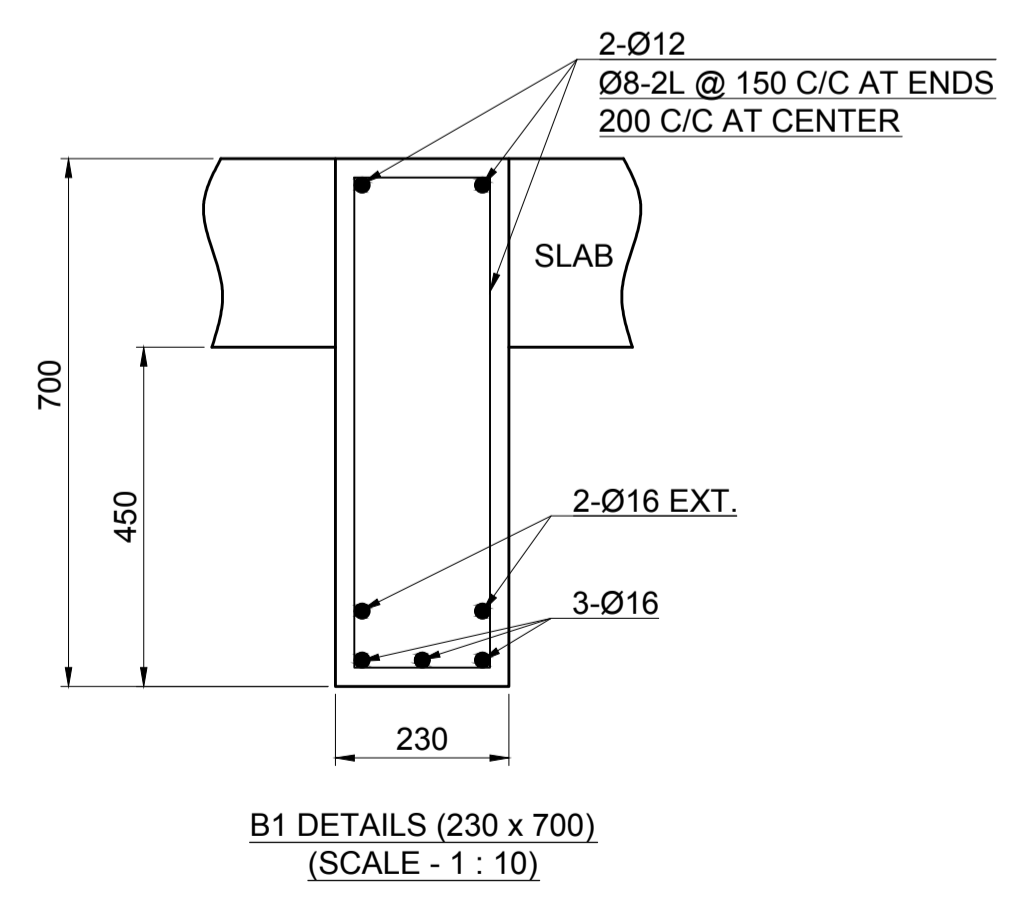
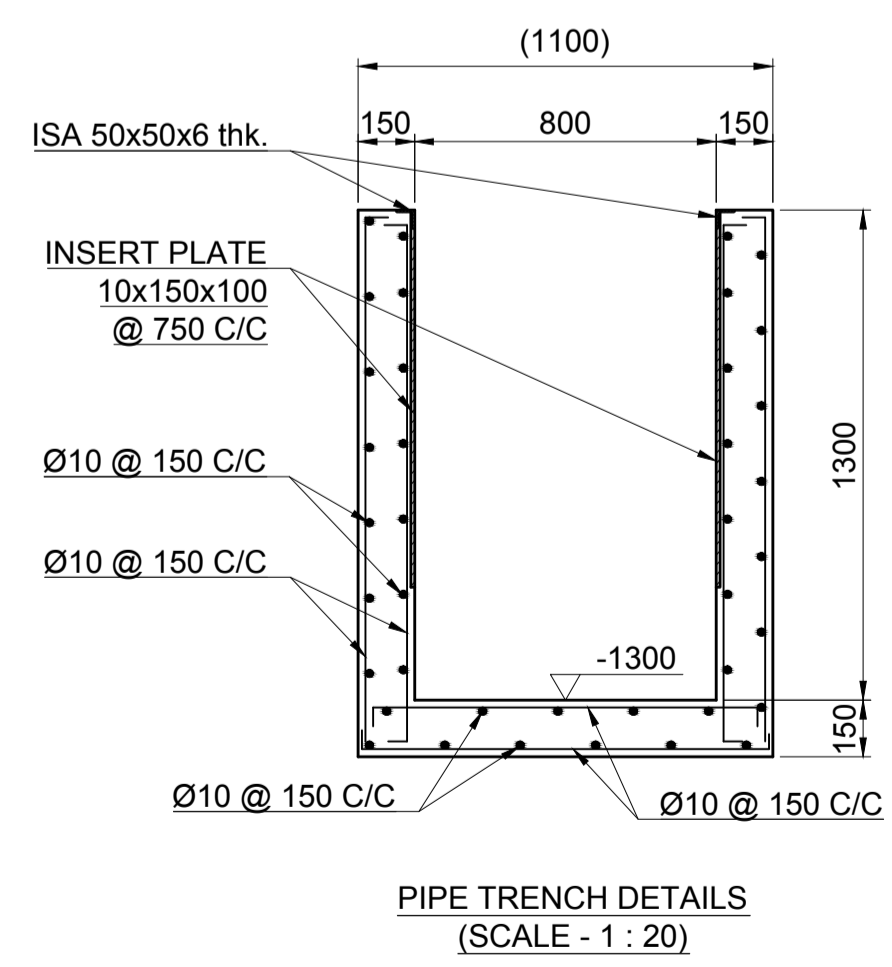
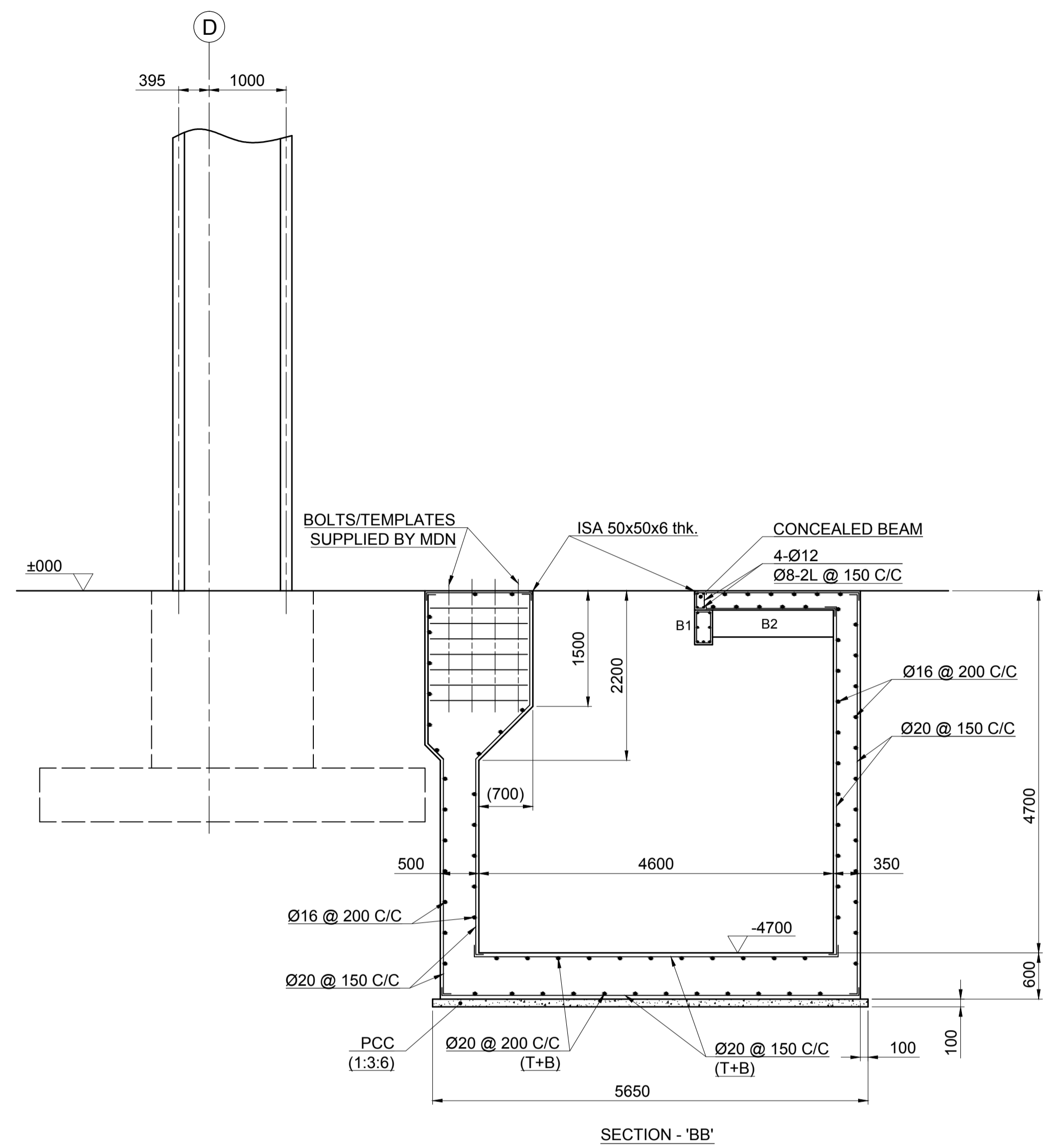
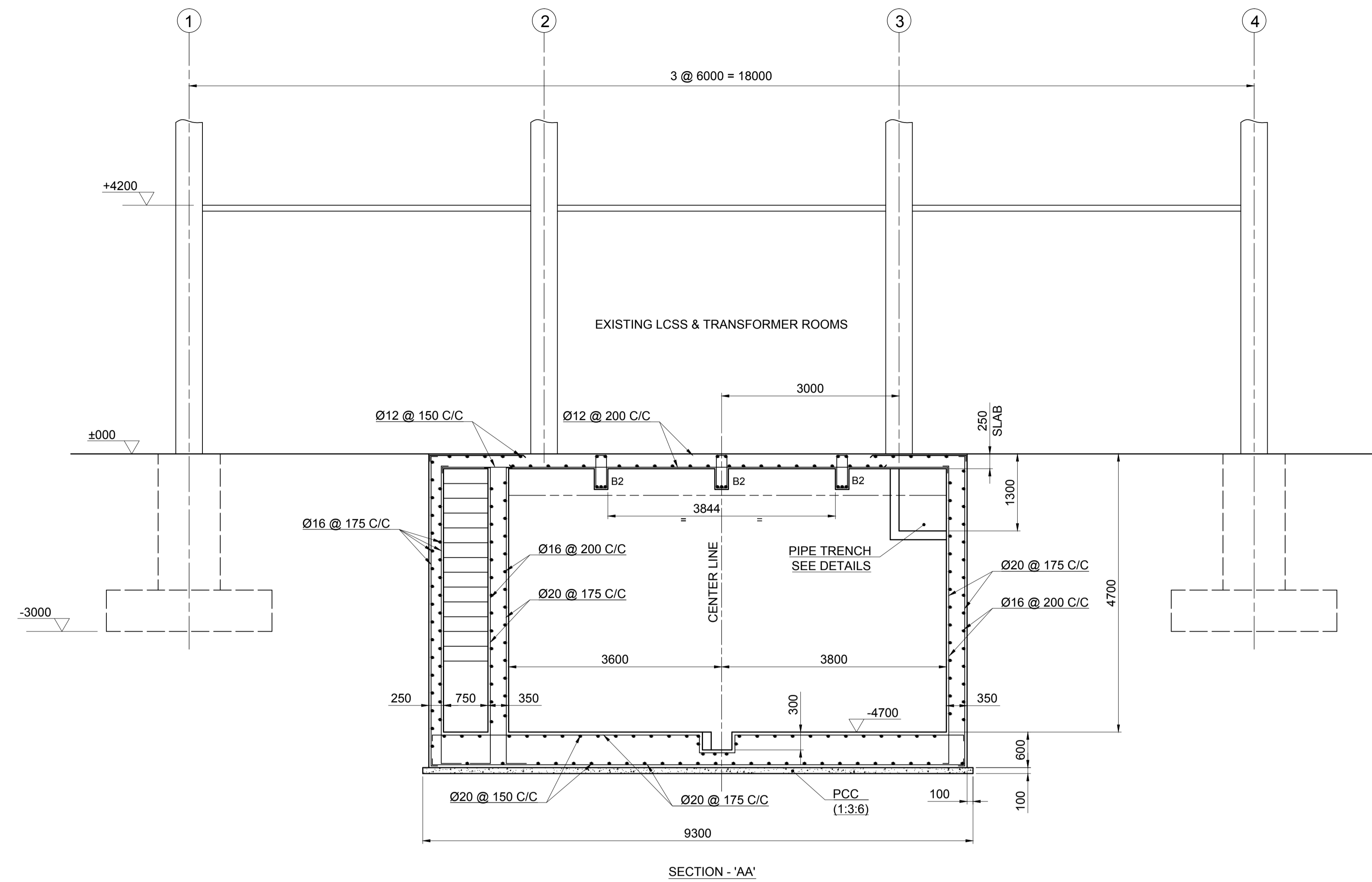
FOR TENDER PURPOSE ONLY

Sl.No.	DRG. No.	DESCRIPTION	MATERIAL	No. OFF	PER. WGT.	TOTAL WGT.	REMARKS
EQPT. : 20T ESR FURNACE (MIDHANI)		DEPT. : MELT SHOP - I		TOTAL Wt. kg			
W.O.No. : 12 - 1 - 133							
DESIGNED	NAME	DATE					
DRN	ASP	10/04/14					
CHD/COMP							
APPROVED		MIDHANI		Mishra Dhatu Nigam Ltd		SUPERSEDES	
				SUPER ALLOYS PLANT HYDERABAD		SUPERSEDED BY	
FINISH & IF NOT SHOWN		SURFACE FINISH IN		mm AS PER IS:696 - 1972			
SCALE - 1 : 50		TITLE		DRG. No.		REMARKS	
		REINFORCEMENT DETAILS (FOR 20T ESR FURNACE)		M04P100 - 01 - 02 - A1		SHEET 1 OF 2	

THIS IS THE PROPERTY OF M/s MISHRA DHATU NIGAM LTD. AND SHOULD NOT BE GIVEN OR HANDED OVER OR DIVULGED TO ANY OTHER PERSON WITHOUT THE EXPRESS PERMISSION OF THE COMPANY IN WRITING. THE MATTER GIVEN ON THIS DRAWING IS TO BE TREATED AS STRICTLY CONFIDENTIAL.

NOTE:
1. ALL DIMENSIONS ARE IN mm UNLESS OTHERWISE SPECIFIED.
2. REMOVE BURRS & SHARP CORNERS.
3. FREE MEASURE TOLERANCE SHOULD BE AS PER MEDIUM IS:2102-1969 UNLESS OTHERWISE SPECIFIED.
4. FOLLOW RELEVANT INDIAN STANDARDS FOR MANUFACTURE
5. DO NOT SCALE DRAWING.
6. ASK IF IN DOUBT.

No.	ZONE	DATE	W.O.No.	REMARKS	BY	APPD	DRG. No.	DESCRIPTION
REVISION								
REFERENCE DRAWINGS								



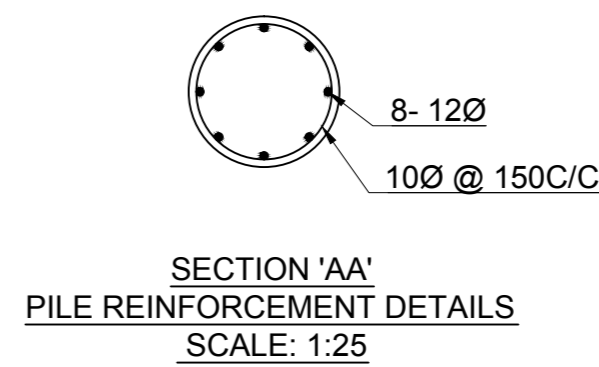
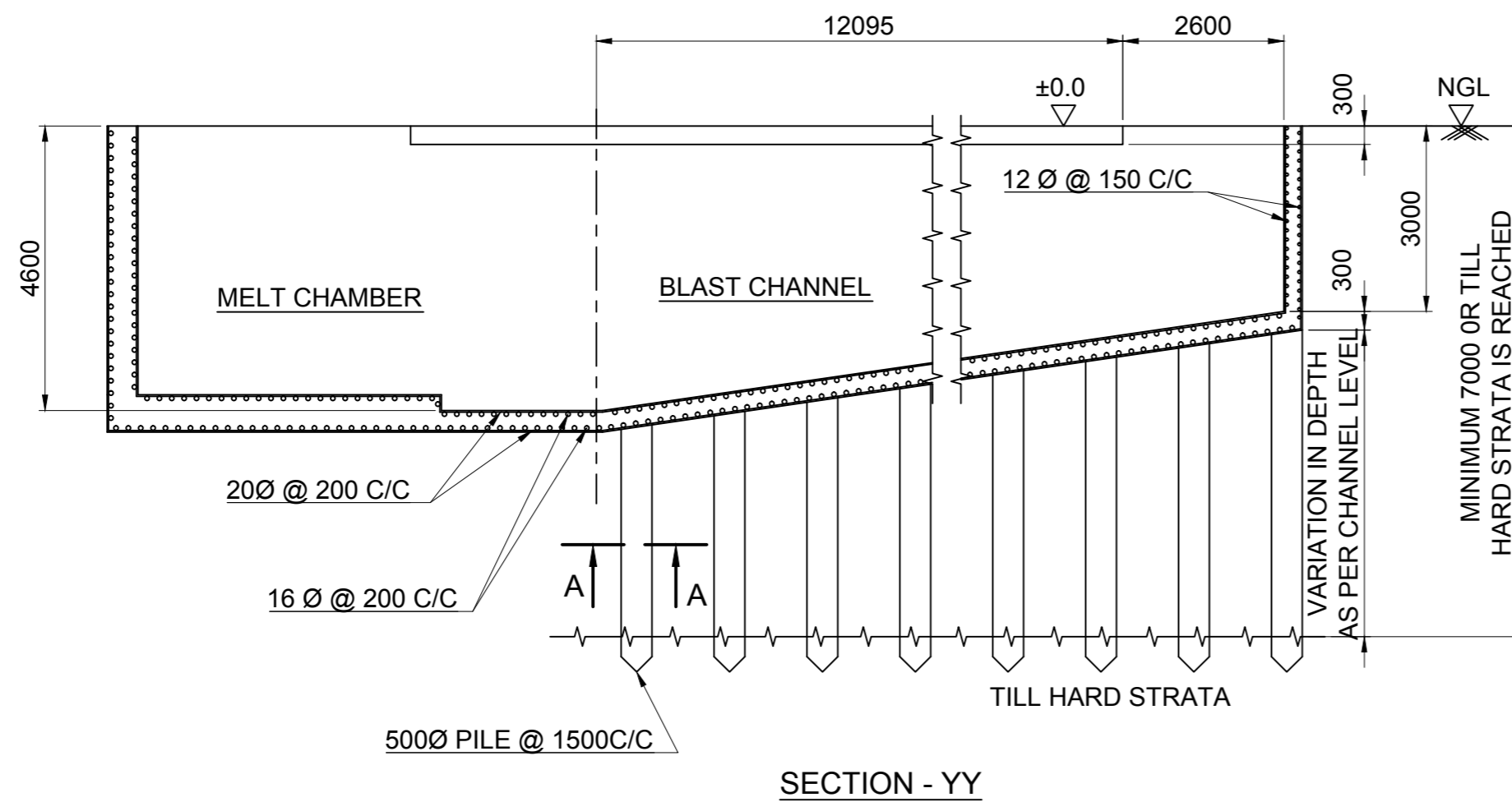
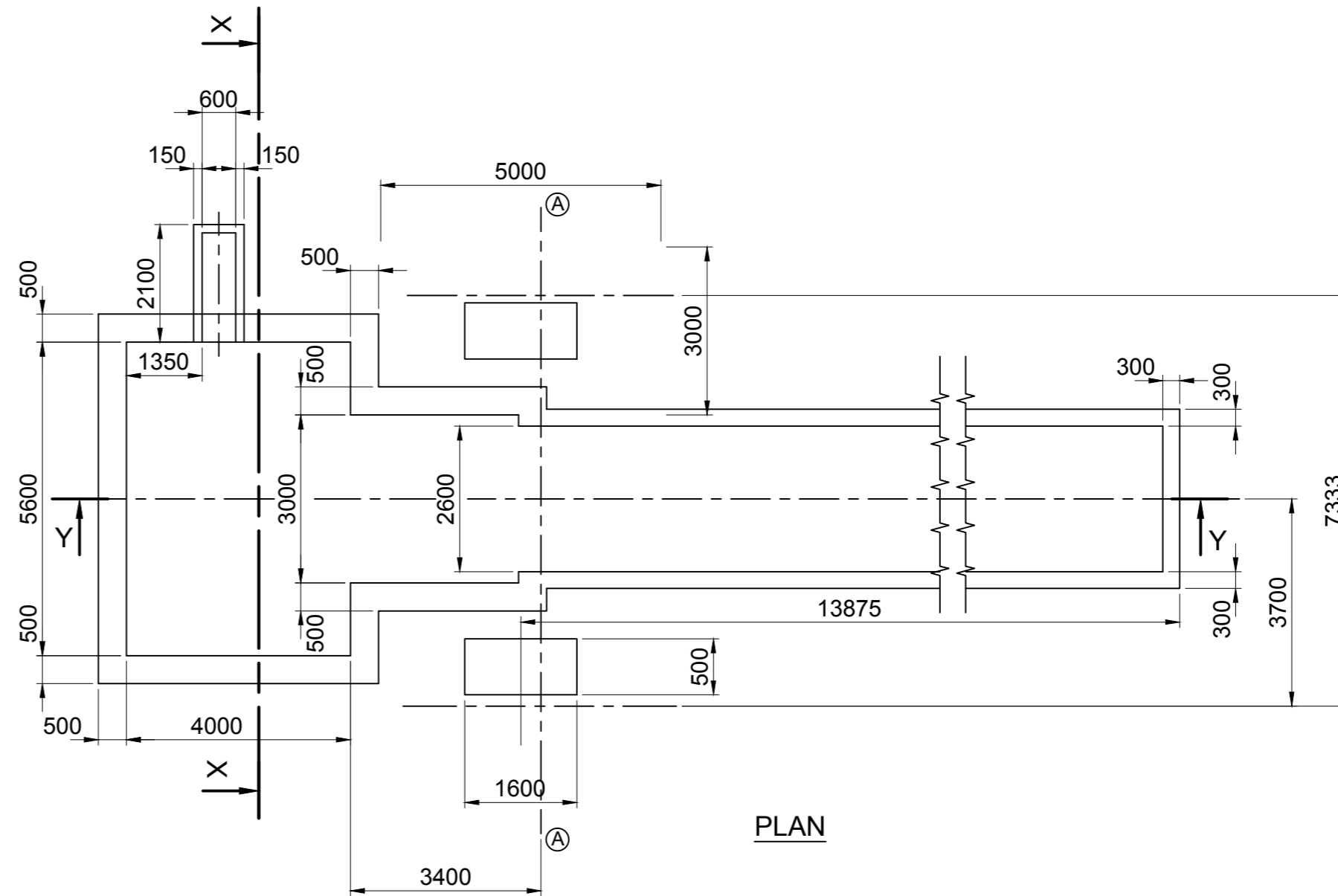
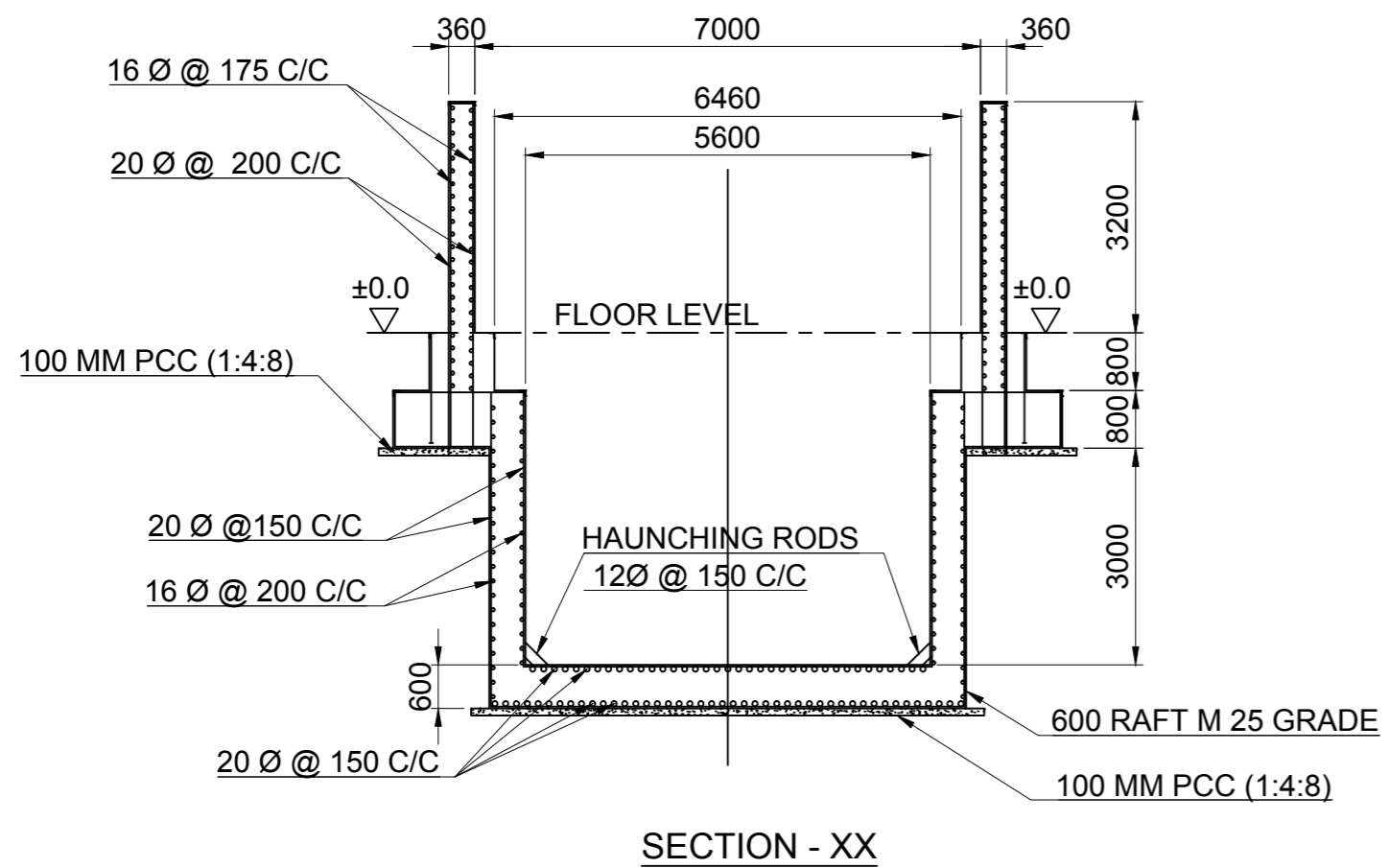
FOR TENDER PURPOSE ONLY

Sl.No.	DRG. No.	DESCRIPTION	MATERIAL	No. OFF	PER UNIT WEIGHT kg	TOTAL	REMARKS
EQPT. : 20T ESR FURNACE (MIDHANI)		DEPT. : MELT SHOP - I		TOTAL Wt. kg			
W.O.No. : 12 - 1 - 133		NAME : DATE		TOTAL Wt. kg			
DESIGNED	DRN	ASP	11/04/14				
CHD/COMP							
APPROVED							
FINISH & IF NOT SHOWN		SURFACE FINISH IN		mm AS PER IS:696 - 1972			
SCALE - 1 : 50, 1 : 10		TITLE		DRG. No.		REMARKS	
		REINFORCEMENT DETAILS (FOR 20T ESR FURNACE)		M04P100 - 01 - 02 - A1		SUPERSEDES	
				SHEET 2 OF 2		SUPERSEDED BY	

THIS IS THE PROPERTY OF M/s MISHRA DHATU NIGAM LTD. AND SHOULD NOT BE GIVEN OR HANDED OVER OR DIVULGED TO ANY OTHER PERSON WITHOUT THE EXPRESS PERMISSION OF THE COMPANY IN WRITING. THE MATTER GIVEN ON THIS DRAWING IS TO BE TREATED AS STRICTLY CONFIDENTIAL.

- NOTE:
- ALL DIMENSIONS ARE IN mm UNLESS OTHERWISE SPECIFIED.
 - REMOVE BURRS & SHARP CORNERS.
 - FREE MEASURE TOLERANCE SHOULD BE AS PER MEDIUM IS:2102-1969 UNLESS OTHERWISE SPECIFIED.
 - FOLLOW RELEVANT INDIAN STANDARDS FOR MANUFACTURE
 - DO NOT SCALE DRAWING.
 - ASK IF IN DOUBT.

No.	ZONE	DATE	W.O.No.	REMARKS	BY	APPD	DRG. No.	DESCRIPTION
REVISION								
REFERENCE DRAWINGS								



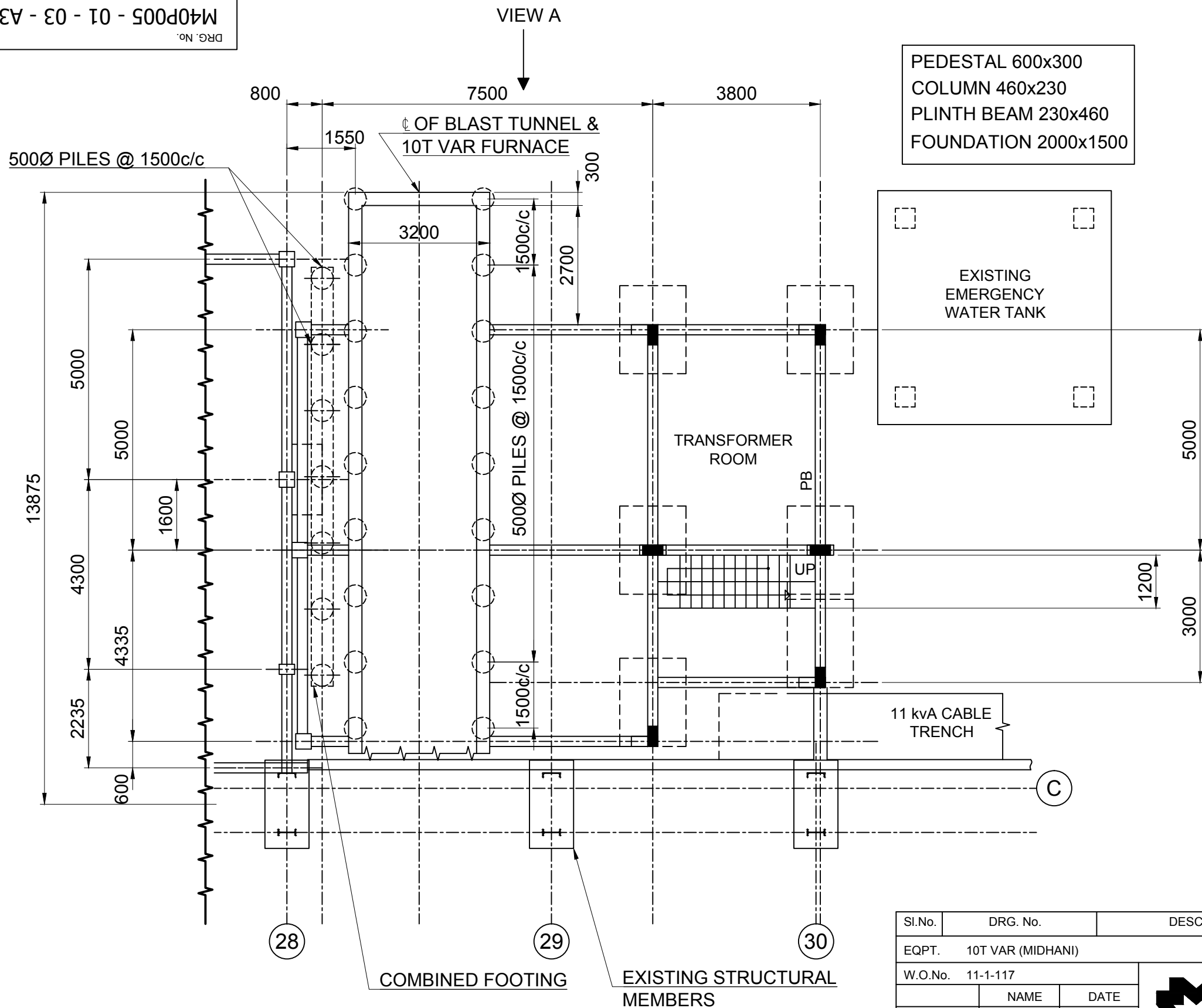
FOR TENDER PURPOSE ONLY

Sl.No.	DRG. No.	DESCRIPTION	MATERIAL	No. OFF	PER PCE	TOTAL	REMARKS	
EQPT.	10T VAR (MIDHANI)		DEPT. MELT SHOP-III			TOTAL Wt. kg	--	
W.O.No.	11-1-117							
DESIGNED					Mishra Dhatu Nigam Ltd SUPER ALLOYS PLANT HYDERABAD			
DRAWN	JHR	04-09-14						
CHECKED							SUPERSEDES	
APPROVED							SUPERSEDED BY	
FINISH ∇ IF NOT SHOWN			SURFACE FINISH IN um AS PER IS:696 - 1972					
SCALE	1:100	TITLE	REINFORCEMENT DETAILS OF			DRG. No.		
		10T VAR FOUNDATION			M40P005 - 01 - 02 - A2			
					SHEET 1 OF 1			

THIS DRAWING IS THE PROPERTY OF M/s MISHRA DHATU NIGAM LTD, AND SHOULD NOT BE GIVEN OR HANDED OVER OR DIVULGED TO ANY OTHER PERSON WITHOUT THE EXPRESS PERMISSION OF THE COMPANY IN WRITING. THE MATTER GIVEN ON THIS DRAWING IS TO BE TREATED AS STRICTLY CONFIDENTIAL.

- NOTE:
- ALL DIMENSIONS ARE IN mm U.O.S.
 - REMOVE BURRS & SHARP CORNERS
 - FREE MEASURE TOLERANCE SHOULD BE AS PER MEDIUM IS:2102 - 1969 U.O.S.
 - FOLLOW RELEVANT INDIAN STANDARDS FOR MANUFACTURE
 - DO NOT SCALE DRAWING.
 - ASK IF IN DOUBT.

No.	DATE	W.O.No.	REMARKS	BY	APPD	REF. DRG. No.
			REVISION			



FOR TENDER PURPOSE ONLY

SI.No.	DRG. No.	DESCRIPTION	MATERIAL	No. OFF	PER PCE.	TOTAL	REMARKS
					WEIGHT kg.		
EQPT.	10T VAR (MIDHANI)		DEPT.	MELT SHOP-III		TOTAL Wt. kg	--
W.O.No.	11-1-117						
DESIGNED							
DRAWN	JHR	04-09-14					
CHECKED							SUPERSEDES
APPROVED							SUPERSEDED BY
FINISH ∇ IF NOT SHOWN			SURFACE FINISH IN um AS PER IS:696 - 1972				



Mishra Dhatu Nigam Ltd
SUPER ALLOYS PLANT
HYDERABAD

- NOTE:
- ALL DIMENSIONS ARE IN mm .U.O.S.
 - REMOVE BURRS & SHARP CORNERS
 - FREE MEASURE TOLERANCE SHOULD BE AS PER MEDIUM IS:2102 - 1969 U.O.S.
 - FOLLOW RELEVANT INDIAN STANDARDS FOR MANUFACTURE
 - DO NOT SCALE DRAWING.
 - ASK, IF IN DOUBT.

No.	DATE	W.O.No.	REMARKS	BY	APPD	REF. DRG. No.
			REVISION			

SCALE 1:100

TITLE **10T VAR TRANSFORMER AND RECTIFIER ROOMS**

DRG. No. **M40P005 - 01 - 03 - A3**
SHEET 1 OF 2

THIS DRAWING IS THE PROPERTY OF M/s MISHRA DHATU NIGAM LTD, AND SHOULD NOT BE GIVEN OR HANDED OVER OR DIVULGED TO ANY OTHER PERSON WITHOUT THE EXPRESS PERMISSION OF THE COMPANY IN WRITING. THE MATTER GIVEN ON THIS DRAWING IS TO BE TREATED AS STRICTLY CONFIDENTIAL.